

## Rigid Couplings

Steel / Stainless Steel, Split, for High Torques

### SPECIFICATION

#### Bore codes

- Version **B**: Without keyway
- Version **K**: With keyway DIN 6885-1 JS9

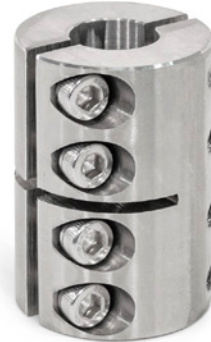
#### Coupling

- Steel **ST**  
Blackened
- Stainless steel AISI 303 **NI**  
Plain finish

#### Socket cap screws ISO 4762

- Steel, blackened for ST
- Stainless steel for NI

Operating temperature -40 °C to +175 °C



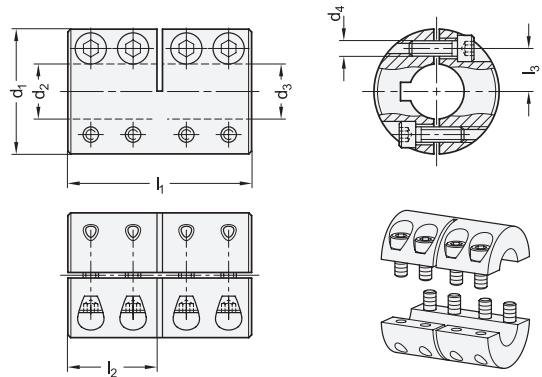
### INFORMATION

Rigid couplings GN 2264 connect supported shafts or are used as couplings for shaft extensions. They transmit angular positions and high torques precisely and with zero backlash, without compensating for alignment errors and runout tolerances. Due to their split design, they can be used where axial mounting is not possible.

With the bore code K, the keyway is always integrated into both bores  $d_2$  and  $d_3$ . For applications with strong vibrations, thread locking is recommended for the clamping screws.

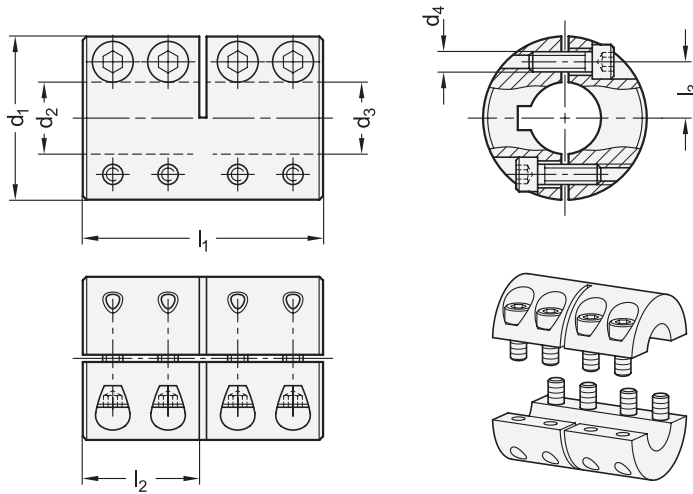
### TECHNICAL INFORMATION

- Overview of Couplings (see page )
- Keyway P9 DIN 6885-1 (see page A16)
- ISO-Fundamental Tolerances (see page A21)
- Stainless Steel Characteristics (see page A26)



### GN 2264-ST

| Description          | $d_1$ | $d_2 - d_3$ H7<br>Recom.<br>shaft<br>tolerance h9 | $d_4$ | $l_1 \pm 1$ | $l_2$<br>Max.<br>shaft<br>insertion<br>depth | $l_3$ | Tightening<br>torque of the<br>screws in Nm $\approx$ | Rated<br>torque in Nm | Max.<br>rotational<br>speed<br>(min <sup>-1</sup> ) | Moment of inertia<br>in kgm <sup>2</sup> |      |
|----------------------|-------|---|-------|-------------|--|-------|---|-----------------------|---|--|------|
| GN 2264-18-B6-6-ST   | 18    | 6-6   | M3    | 30          | 14.5   | 5.5   | 2   | 30                    | 4000  | $1.75 \times 10^{-6}$                    | 47   |
| GN 2264-18-K6-6-ST   | 18    | 6-6   | M3    | 30          | 14.5   | 5.5   | 2   | 30                    | 4000  | $1.75 \times 10^{-6}$                    | 47   |
| GN 2264-24-B8-8-ST   | 24    | 8-8   | M3    | 35          | 17   | 8.5   | 3   | 50                    | 4000  | $7.21 \times 10^{-6}$                    | 102  |
| GN 2264-24-K8-8-ST   | 24    | 8-8   | M3    | 35          | 17   | 8.5   | 3   | 50                    | 4000  | $7.21 \times 10^{-6}$                    | 102  |
| GN 2264-29-B10-10-ST | 29    | 10-10   | M4    | 45          | 21.5   | 10    | 4.5   | 100                   | 4000  | $1.97 \times 10^{-5}$                    | 185  |
| GN 2264-29-K10-10-ST | 29    | 10-10   | M4    | 45          | 21.5   | 10    | 4.5   | 100                   | 4000  | $1.97 \times 10^{-5}$                    | 185  |
| GN 2264-29-B12-12-ST | 29    | 12-12   | M4    | 45          | 21.5   | 10    | 4.5   | 100                   | 4000  | $1.97 \times 10^{-5}$                    | 180  |
| GN 2264-29-K12-12-ST | 29    | 12-12   | M4    | 45          | 21.5   | 10    | 4.5   | 100                   | 4000  | $1.97 \times 10^{-5}$                    | 180  |
| GN 2264-34-B14-14-ST | 34    | 14-14   | M5    | 50          | 24   | 11.5  | 9   | 190                   | 4000  | $3.82 \times 10^{-5}$                    | 272  |
| GN 2264-34-K14-14-ST | 34    | 14-14   | M5    | 50          | 24   | 11.5  | 9   | 190                   | 4000  | $3.82 \times 10^{-5}$                    | 272  |
| GN 2264-34-B15-15-ST | 34    | 15-15   | M5    | 50          | 24   | 11.5  | 9   | 190                   | 4000  | $3.82 \times 10^{-5}$                    | 266  |
| GN 2264-34-K15-15-ST | 34    | 15-15   | M5    | 50          | 24   | 11.5  | 9   | 190                   | 4000  | $3.82 \times 10^{-5}$                    | 266  |
| GN 2264-34-B16-16-ST | 34    | 16-16   | M5    | 50          | 24   | 11.5  | 9   | 190                   | 4000  | $3.82 \times 10^{-5}$                    | 261  |
| GN 2264-34-K16-16-ST | 34    | 16-16   | M5    | 50          | 24   | 11.5  | 9   | 190                   | 4000  | $3.82 \times 10^{-5}$                    | 261  |
| GN 2264-42-B20-20-ST | 42    | 20-20   | M6    | 65          | 31.5   | 16    | 15  | 350                   | 4000  | $1.25 \times 10^{-4}$                    | 518  |
| GN 2264-42-K20-20-ST | 42    | 20-20   | M6    | 65          | 31.5   | 16    | 15  | 350                   | 4000  | $1.25 \times 10^{-4}$                    | 518  |
| GN 2264-45-B25-25-ST | 45    | 25-25   | M6    | 75          | 36.5   | 17.5  | 15  | 390                   | 4000  | $1.97 \times 10^{-4}$                    | 623  |
| GN 2264-45-K25-25-ST | 45    | 25-25   | M6    | 75          | 36.5   | 17.5  | 15  | 390                   | 4000  | $1.97 \times 10^{-4}$                    | 623  |
| GN 2264-53-B30-30-ST | 53    | 30-30   | M6    | 83          | 40.5   | 20.5  | 15  | 475                   | 4000  | $4.23 \times 10^{-4}$                    | 920  |
| GN 2264-53-K30-30-ST | 53    | 30-30   | M6    | 83          | 40.5   | 20.5  | 15  | 475                   | 4000  | $4.23 \times 10^{-4}$                    | 920  |
| GN 2264-67-B35-35-ST | 67    | 35-35   | M8    | 95          | 46.5   | 25    | 40  | 1100                  | 4000  | $1.23 \times 10^{-3}$                    | 1880 |
| GN 2264-67-K35-35-ST | 67    | 35-35   | M8    | 95          | 46.5   | 25    | 40  | 1100                  | 4000  | $1.23 \times 10^{-3}$                    | 1880 |
| GN 2264-77-B40-40-ST | 77    | 40-40   | M8    | 108         | 53   | 30    | 40  | 1325                  | 4000  | $2.51 \times 10^{-3}$                    | 2710 |
| GN 2264-77-K40-40-ST | 77    | 40-40   | M8    | 108         | 53   | 30    | 40  | 1325                  | 4000  | $2.51 \times 10^{-3}$                    | 2710 |
| GN 2264-85-B50-50-ST | 85    | 50-50   | M10   | 124         | 61   | 33    | 84  | 2250                  | 4000  | $4.09 \times 10^{-3}$                    | 3520 |
| GN 2264-85-K50-50-ST | 85    | 50-50   | M10   | 124         | 61   | 33    | 84  | 2250                  | 4000  | $4.09 \times 10^{-3}$                    | 3520 |



GN 2264-NI

STAINLESS STEEL

| Description          | d1 | d2 - d3 H7<br>Recom.<br>shaft<br>tolerance h9 | d4   | l1 ±1 | l2<br>Max.<br>shaft<br>insertion<br>depth | l3   | Tightening<br>torque of<br>the screws<br>in Nm≈ | Rated<br>torque<br>in Nm | Max.<br>rotational<br>speed<br>(min <sup>-1</sup> ) | Moment of inertia<br>in kgm <sup>2</sup> |      |
|----------------------|----|---|------|-------|---|------|---|--------------------------|---|--|------|
| GN 2264-18-B6-6-NI   | 18 | 6-6   | M 3  | 30    | 14.5                                      | 5.5  | 1.6   | 25                       | 4000  | 1.78 x 10 <sup>-6</sup>                  | 47   |
| GN 2264-18-K6-6-NI   | 18 | 6-6   | M 3  | 30    | 14.5                                      | 5.5  | 1.6   | 25                       | 4000  | 1.78 x 10 <sup>-6</sup>                  | 47   |
| GN 2264-24-B8-8-NI   | 24 | 8-8   | M 3  | 35    | 17  | 8.5  | 1.6   | 40                       | 4000  | 7.31 x 10 <sup>-6</sup>                  | 102  |
| GN 2264-24-K8-8-NI   | 24 | 8-8   | M 3  | 35    | 17  | 8.5  | 1.6   | 40                       | 4000  | 7.31 x 10 <sup>-6</sup>                  | 102  |
| GN 2264-29-B10-10-NI | 29 | 10-10   | M 4  | 45    | 21.5                                      | 10   | 3.9   | 90                       | 4000  | 1.99 x 10 <sup>-5</sup>                  | 185  |
| GN 2264-29-K10-10-NI | 29 | 10-10   | M 4  | 45    | 21.5                                      | 10   | 3.9   | 90                       | 4000  | 1.99 x 10 <sup>-5</sup>                  | 185  |
| GN 2264-29-B12-12-NI | 29 | 12-12   | M 4  | 45    | 21.5                                      | 10   | 3.9   | 90                       | 4000  | 1.99 x 10 <sup>-5</sup>                  | 180  |
| GN 2264-29-K12-12-NI | 29 | 12-12   | M 4  | 45    | 21.5                                      | 10   | 3.9   | 90                       | 4000  | 1.99 x 10 <sup>-5</sup>                  | 180  |
| GN 2264-34-B14-14-NI | 34 | 14-14   | M 5  | 50    | 24  | 11.5 | 7.6   | 160                      | 4000  | 3.87 x 10 <sup>-5</sup>                  | 272  |
| GN 2264-34-K14-14-NI | 34 | 14-14   | M 5  | 50    | 24  | 11.5 | 7.6   | 160                      | 4000  | 3.87 x 10 <sup>-5</sup>                  | 272  |
| GN 2264-34-B15-15-NI | 34 | 15-15   | M 5  | 50    | 24  | 11.5 | 7.6   | 160                      | 4000  | 3.87 x 10 <sup>-5</sup>                  | 266  |
| GN 2264-34-K15-15-NI | 34 | 15-15   | M 5  | 50    | 24  | 11.5 | 7.6   | 160                      | 4000  | 3.87 x 10 <sup>-5</sup>                  | 266  |
| GN 2264-34-B16-16-NI | 34 | 16-16   | M 5  | 50    | 24  | 11.5 | 7.6   | 160                      | 4000  | 3.87 x 10 <sup>-5</sup>                  | 261  |
| GN 2264-34-K16-16-NI | 34 | 16-16   | M 5  | 50    | 24  | 11.5 | 7.6   | 160                      | 4000  | 3.87 x 10 <sup>-5</sup>                  | 261  |
| GN 2264-42-B20-20-NI | 42 | 20-20   | M 6  | 65    | 31.5                                      | 16   | 13.2  | 300                      | 4000  | 1.26 x 10 <sup>-4</sup>                  | 518  |
| GN 2264-42-K20-20-NI | 42 | 20-20   | M 6  | 65    | 31.5                                      | 16   | 13.2  | 300                      | 4000  | 1.26 x 10 <sup>-4</sup>                  | 518  |
| GN 2264-45-B25-25-NI | 45 | 25-25   | M 6  | 75    | 36.5                                      | 17.5 | 13.2  | 325                      | 4000  | 1.99 x 10 <sup>-4</sup>                  | 623  |
| GN 2264-45-K25-25-NI | 45 | 25-25   | M 6  | 75    | 36.5                                      | 17.5 | 13.2  | 325                      | 4000  | 1.99 x 10 <sup>-4</sup>                  | 623  |
| GN 2264-53-B30-30-NI | 53 | 30-30   | M 6  | 83    | 40.5                                      | 20.5 | 13.2  | 400                      | 4000  | 4.29 x 10 <sup>-4</sup>                  | 920  |
| GN 2264-53-K30-30-NI | 53 | 30-30   | M 6  | 83    | 40.5                                      | 20.5 | 13.2  | 400                      | 4000  | 4.29 x 10 <sup>-4</sup>                  | 920  |
| GN 2264-67-B35-35-NI | 67 | 35-35   | M 8  | 95    | 46.5                                      | 25   | 32  | 925                      | 4000  | 1.25 x 10 <sup>-3</sup>                  | 1880 |
| GN 2264-67-K35-35-NI | 67 | 35-35   | M 8  | 95    | 46.5                                      | 25   | 32  | 925                      | 4000  | 1.25 x 10 <sup>-3</sup>                  | 1880 |
| GN 2264-77-B40-40-NI | 77 | 40-40   | M 8  | 108   | 53  | 30   | 32  | 1100                     | 4000  | 2.54 x 10 <sup>-3</sup>                  | 2710 |
| GN 2264-77-K40-40-NI | 77 | 40-40   | M 8  | 108   | 53  | 30   | 32  | 1100                     | 4000  | 2.54 x 10 <sup>-3</sup>                  | 2710 |
| GN 2264-85-B50-50-NI | 85 | 50-50   | M 10 | 124   | 61  | 33   | 63  | 1875                     | 4000  | 4.14 x 10 <sup>-3</sup>                  | 3520 |
| GN 2264-85-K50-50-NI | 85 | 50-50   | M 10 | 124   | 61  | 33   | 63  | 1875                     | 4000  | 4.14 x 10 <sup>-3</sup>                  | 3520 |

